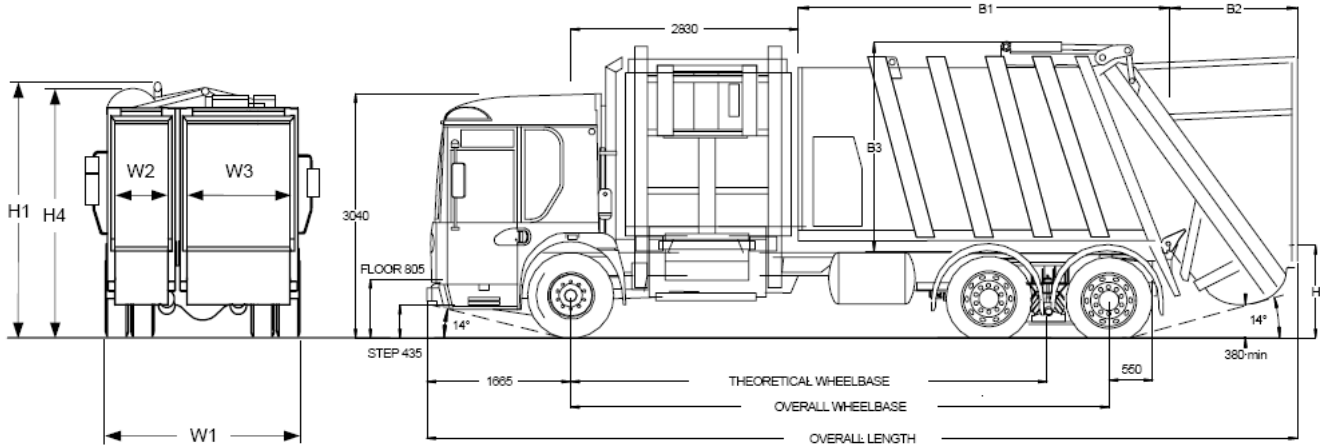


Vehicle Specifications



Vehicle type		One-Pass (Phoenix High Capacity Twin Pack 15 + Recycler body)
Compacting body (HCTP) volume (m ³)		Small = 5.0m ³ Large = 10.0m ³
Recycler body volume (m ³)		See reverse for details
Chassis type		Dennis Eagle Elite 6x4
GVW (Tonne)		26000
Unladen weight - no options (kg)		16690
Turning circle (a)		18000
Overall wheelbase		6200
Theoretical wheelbase		5500
Axle 2 to 3		1385
Overall length		10280
Overall length - tailgate raised		11180
Front overhang		1665
Rear overhang		2415
Rear overhang - tailgate raised		3315
W1	Overall width	2550
W2	Width inside hopper - small tailgate	685
W3	Width inside hopper - large tailgate	1385
Overall travelling height (exhaust tip)		3525
Overall height - tailgate raised		4950
Overall height to top of bodywork		3390
Floor height (inside cab)		805
H	Manual loading height	1160
Axle 1 to front of Phoenix body		2635
B1	Body floor length	4280
B2	Tailgate length	1500
B3	Body height (from chassis)	2140
Ground clearance-rear		380 minimum
Approach angle		14°
Departure angle		14°

(a) Turning circles quoted are kerb-to-kerb, for wall-to-wall figures add 1250mm.

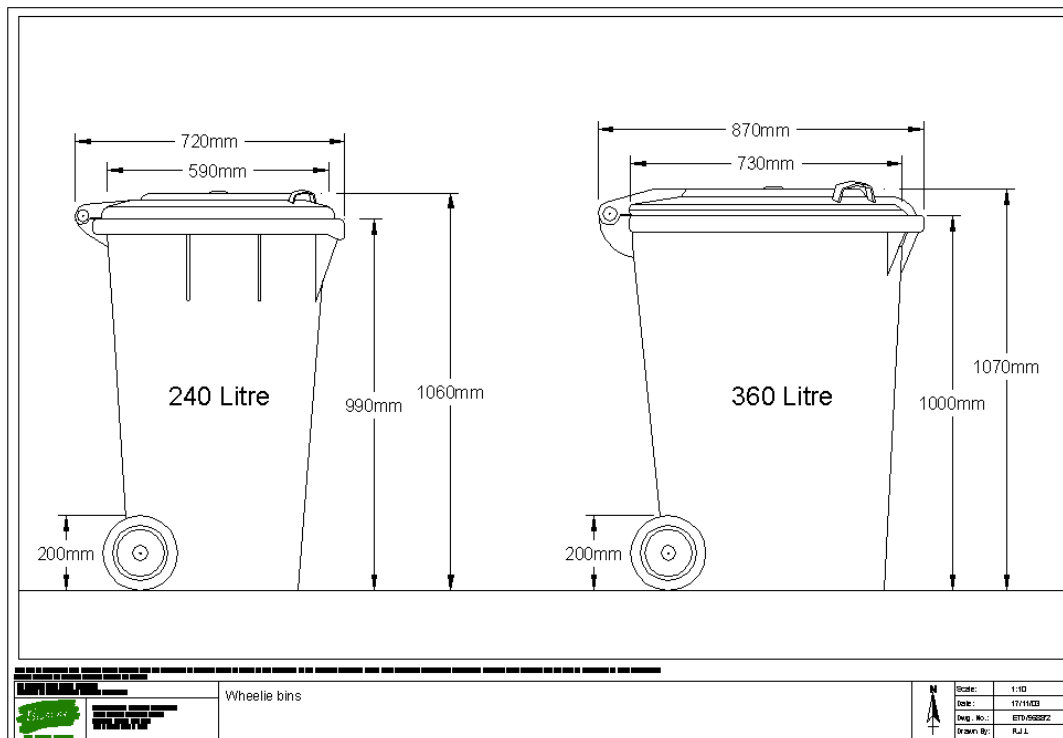
NOTE: Unless otherwise stated, all dimensions are nominal, in mm and represent an unladen condition. All specifications are subject to manufacturers' tolerances. All weights are in kg and include oil and water. Additional equipment may alter dimensions and weights quoted. Typical triple chair bin-lifting equipment will add up to 1200kg. Weight data is based upon Volvo DE7 engine.

Household Waste Recycling Container

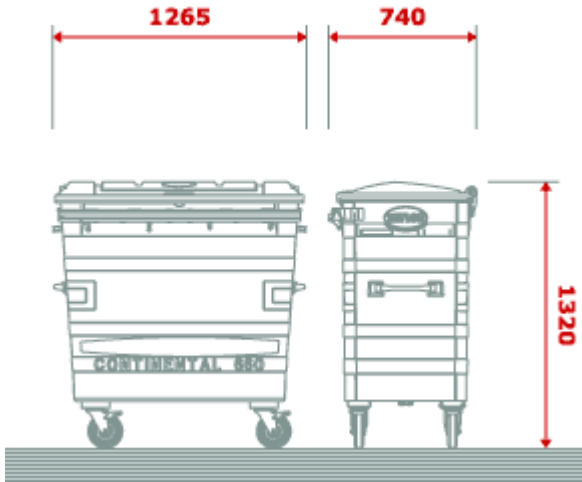


Technical specification:

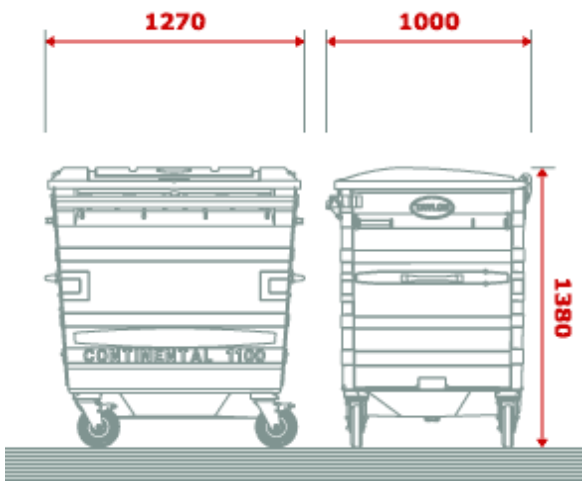
External dimensions	:	553 x 406 x 355mm
Internal dimensions	:	445 x 312 x 350mm
Wall thickness	:	2mm minimum
Capacity	:	55 litres
Drain holes	:	0, 4 or 12—moulded into base.
Material	:	100% pc recycled HDPE or PP
Graphics	:	Mould in relief or hot foil print



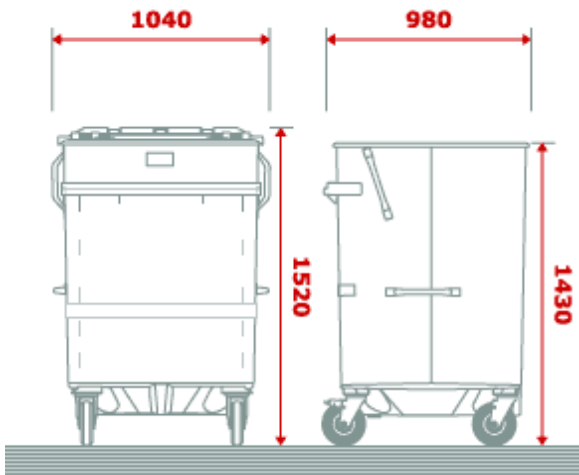
Flats Waste Container Specifications



660 litre eurobin



1100 litre eurobin



940 litre chamberlain